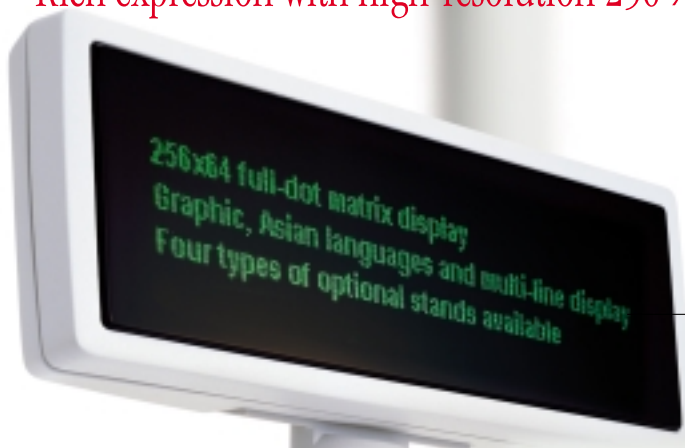


Rich expression with high-resolution 256 × 64 matrix for text and graphics



Customer Display **DM-D500**

ESC/POS®



for POS systems

58	0.90	WHOLE WHEAT BREAD	4.50
19	1.50	FRENCH BREAD (810)	1.50
28	1.50	BLUEBERRY JAMS	3.50
29	1.50	BAC. PROVESIAN CHEESE	3.00
30	1.05	BAC BUTTER	1.05
TOTAL			12.50
TAX 95.00%			0.63
			13.20
			19.64

TABLE No. 3	12:07	***
TABLE No. 5	12:13	***
TABLE No. 5	12:13	***
TABLE No. 1	12:18	***

AT A GLANCE

- Up to 8 lines of displayed text & graphics (256 x 64 dot matrix)
- Flexible hardware configuration
- ESC/POS Support, including Windows drivers



Wrapstand



Checkout



Hospitality



Express Yourself Clearer communication Means Success

Introducing the new ultimate
in POS customer displays, the DM-D500.

Customer Display **DM-D500**

For POS systems

The EPSON DM-D500 has a variety of functions to satisfy the latest POS system demands, increasing the expressiveness of the display to make your communication with customers more attractive.

256 x 64 Dot Matrix Display

The full display area of the DM-D500 is 256 dots horizontally by 64 dots vertically, making a rich array of expression possible, including bit map graphics and kanji characters.



Highly Reliable and Energy-Saving

In addition to outstanding reliability, the DM-D500 has an energy-saving function.

20 columns x 2 lines Mode Available

By choosing the 20 columns two line mode, it is possible to display 20 columns x 2 lines.

Clear, Easy to Read

The display is clear and easy to read. The up/down, left/right adjustability assures optimum viewing angle.



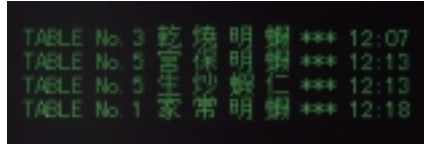
Displays up to Eight Lines

The resolution of the 256 x 64 dot display allows the DM-D500 to display up to eight lines. A variety of services can be performed on the DM-D500, including the display of different currencies, such



Asian Language Ability

The DM-D500 can handle the Simple Chinese and Japanese languages. Customers get clear information from the high-resolution display.

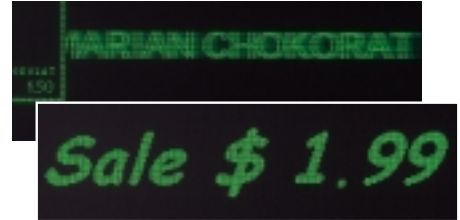


From 2400 to 115200 bps

Design and color match EPSON TM series.

Graphic Display

Graphic display, such as pictures and illustrations, is also possible. This function is very useful for advertisements, such as notices of current campaigns and recommended products. In addition, text and graphics can be scrolled horizontally or vertically.



ESC/POS® Compliant

It is easy to make and to display graphics by using ESC/POS control commands, and you can register Kanji and other user characters by

OLE POS Compatible

Compatible with OCX driver software for application development support in Windows® 95/98/NT® environments.

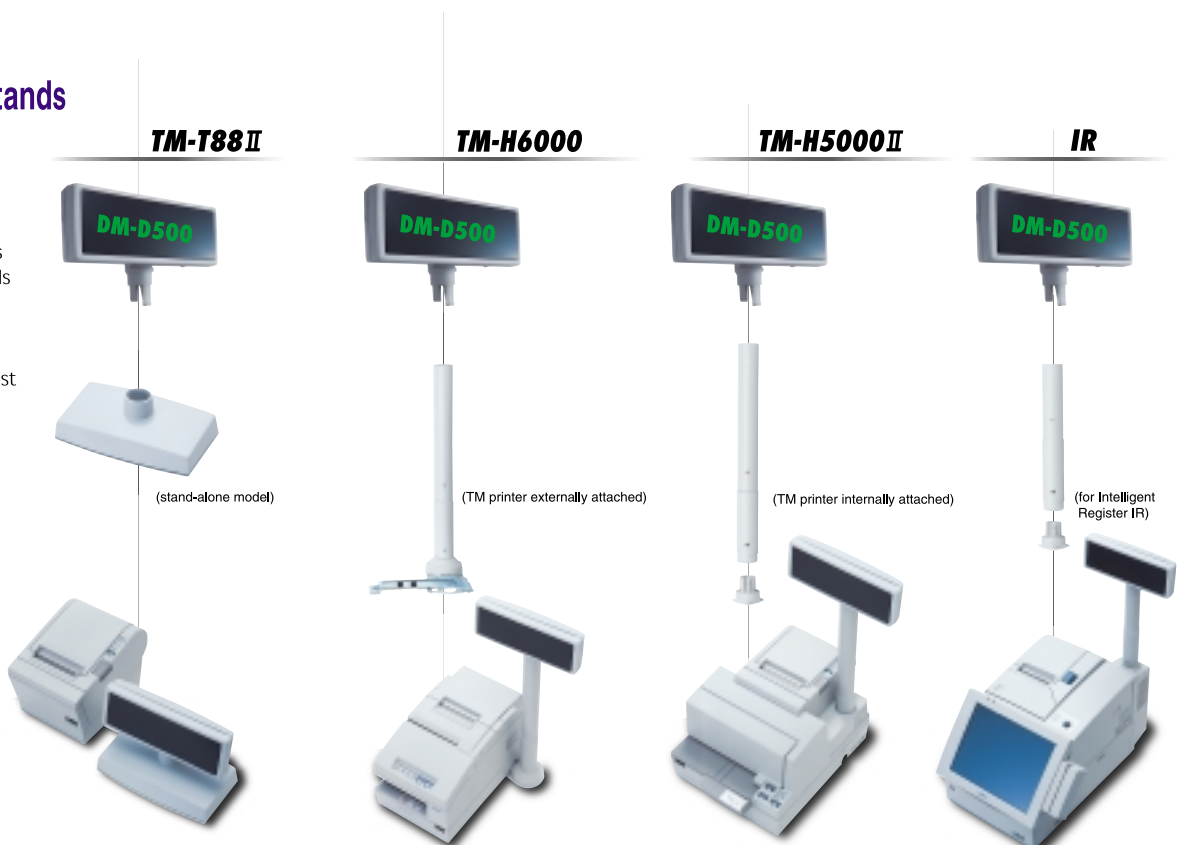


ESC/POS is a registered trademark of SEIKO EPSON CORPORATION.
EPSON is a member of OPOS committee.
Windows is a registered trademark of Microsoft Corporation.

Four Types of Stands (optional)

Four types of stands are available: externally and internally attached stands for TM printers and stands for the TM-H6000/U675, and the IR Series. Users may choose the stand that best suits their environment.

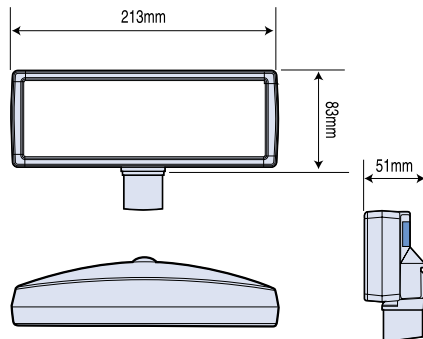
* A Forked pole simultaneous connection of two DM-D500s is being developed.



Customer Display

DM-D500

APPEARANCE / SPECIFICATIONS



Display method / color	Vacuum fluorescent display / Green
Resolution	256 X 64 full dot matrix / 42 columns X 8 lines max. (5 X 7)
Brightness	300 cd / m ²
Buffer	Receive 4K bytes / Macro 2K bytes
Character type	95 Alphanumeric characters / 37 International characters Graphic characters: 128 X 12 pages, kanji characters
Character font	5 X 7 dot matrix, 8 X 16, 16 X 16 dot matrix
Euro symbol	Supported
Dot pitch	0.55 X 0.55
Download characters	132 / 94 characters (Kanji gaiji)
Interface	RS-232
Connection	Pass-Through-Function* type / Direct connection
Baud rate	2,400~115,200 bps
Reliability MTBF	30,000 hours
Power / current consumption	12~48 VDC / Approx. 6W
Overall dimensions	213(W) X 51(D) X 83(H) mm
Weight	Approx. 460g

Case color	ECW (EPSON Cool White)
EMC standards	VCCI class A, FCC class A, CE marking
Safety standards	UL / USA / TÜV (EN 60950)
Power supply	PS-170

Notes: * = Available with the baud rate 2,400~38,400 bps as displaying 20 columns X 2 lines.

OPTIONAL STANDS

	Stand alone model	TM series extremely enabled	TM series extremely enabled	For Intelligent Register IR series
Overall dimensions (External)	200(W) X 118(D) X 65(H) mm	164(W) X 78(D) X 382 MAX(H) mm	50(W) X 53(D) X 369 MAX(H) mm	50(W) X 53(D) X 250 MAX(H) mm
Weight	Approx. 440g	Approx. 340g	Approx. 190g	Approx. 135g
Available Models	TM-T88 II / U200 Series	TM-H6000 / U950 / U675 / NT Series	TM-H5000 II / J8000	IR

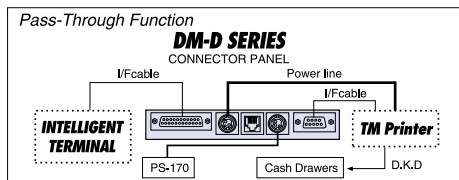
Pass-Through Function

Thanks to a pass-through function, the DM-D500 can control the printer.

※Use the interface practically.

Direct Connection

Easy to connect with EPSON TM series of POS equipment and directly connect to your existing host terminal (serial port with a 12 V power supply required).



⚠ The Type A and Type B interface boards are connectable to DM-D500. If your printer* has Type C interface board, please contact your nearest EPSON dealers to replace the Type C interface board with Type A or Type B interface boards.

*TM-H5000 / H5000II / U590 / H6000 / U675 / T285 / J8000

Specifications are subject to change without notice.

EPSON AUSTRALIA PTY LTD.

70 Gibbes Street, Chatswood NSW 2067 Tel: (02) 9903 9000 Fax: (02) 9903 9177 www.epson.com.au

AVAILABLE FROM:

OPTIONS

POWER SUPPLY



PS-170
INPUT: 100~240V AC
OUTPUT: 24 VDC, 2.0 A
Plug: 3P Power jack
Safety standards:
UL, CSA, TÜV

POLE UNIT



DP-105
254 (H) X dia.35mm

EPSON
RETAIL SOLUTIONS