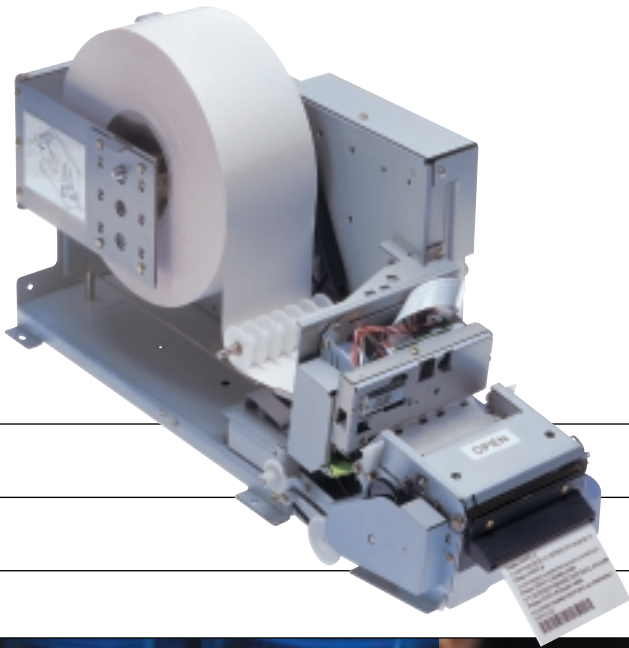


**EPSON®**



Embedded Unit  
for self-service terminal

new

**EU-T532**

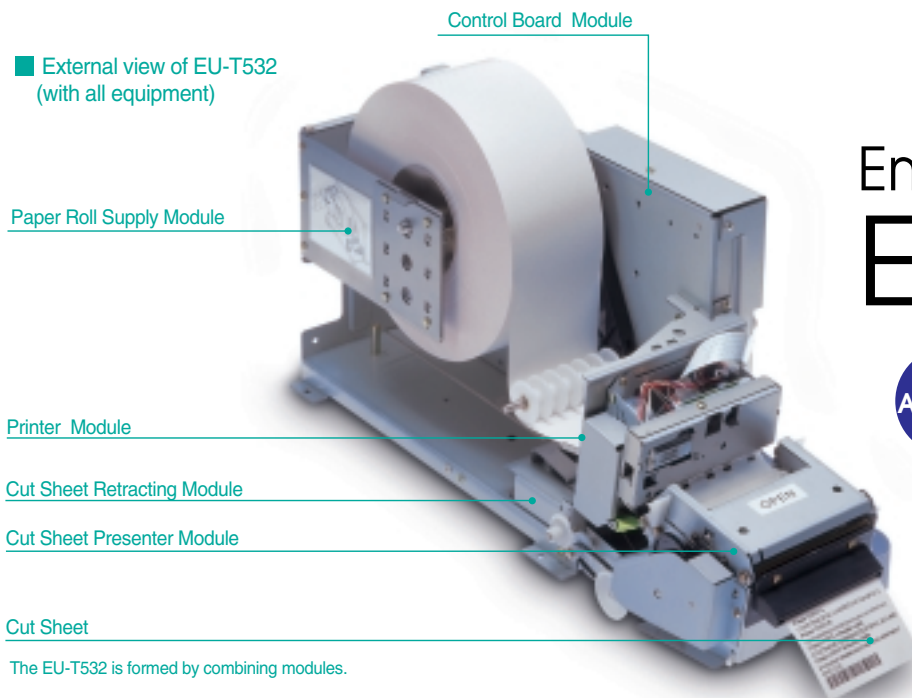
- ▶ ATM/CD
- ▶ Kiosk
- ▶ Gaming



**Real Solution for Self-Service Terminal!**

# Take Terminal Design Further Than Ever Before! All the Answer is in This New One.

The EPSON EU-T532 offers a whole new dimension of self-service terminal design. With the high quality and performance as the EPSON MPM/TM series, various choices of module combinations, and the EPSON Advanced Windows Driver which save you time and money in application development, you are sure to be able to innovate and break through the current styles. To find out how you can meet your needs, try the EPSON EU-T532.



## Embedded Unit EU-T532



## HIGH RELIABILITY, SECURITY

### High Reliability - MCBF 37 Million lines

EPSON's superb reliability offers a long term of maintenance-free operation with an MCBF of 37 million lines.

### Automatic Retracting Function

Can prevent loss of personal data and enable safer coupon and receipt issuing with the optional Cut Sheet Retracting Module.

### Status Monitor for The Best Operation

For remote terminal use and stable operation, Status Monitor (included with the EPSON Advanced Windows Driver) provides various monitoring information.

- All Paper Sensors (paper near end, paper detector,.....) ● Printing (Ticket) -End ● Cut Sheet Presence ● Cover Open ● Off Line Status
- Retracted Paper Remaining ● Second Paper Near-End\* ● Maintenance Counter

\* After detection with the paper near end sensor, the amount of remaining paper on a roll is sent and a message appears to prompt paper replacement.

### Maintenance Counter

Provides much accumulated operation information to prevent accidental trouble and keeps the unit always running smoothly in good condition.

Monitoring the number of

- Energize of print head ● Cuts by autocutter ● Carried lines by paper feeder ● Carried times by presenter ● Carried times by retractor ● Operating time

# Embedded Unit EU-T532

## HIGH SPEED PRINT

### Fastest in This Class - 150mm/sec. max.

Realizes the fastest throughput in this class. The highest printing speed is an incredible 150mm/sec. max.

### Graphics Printing - The Fastest Too

High resolution Full Graphics printing also offers the same fast throughput performance - 150mm/sec. max.

### High Speed Autocutter

High speed autocutter is standard equipment.



## TCO PERFORMANCE

### Large Diameter Roll Paper Available - 254mm (10 inches) max.

Can use 254mm (10 inches) large diameter roll paper. Reduces frequency of paper replacement.

### Easy Paper Handling and Maintenance

Semi-auto paper loading function enables easy and fast replacement of paper rolls. Also the Printer Module and Cut Sheet Retracting Module have opening mechanisms for easy maintenance.



### Paper Near-End Sensor

Two paper near - end sensors - Mechanical sensor (various positions selectable) and Software (message appears on PC monitor) double check the amount of paper remaining and prompt you to exchange paper roll.

### Paper Back Feed Function

Saves the top margins of paper and reduces the paper running cost.

## VARIOUS CONFIGURATIONS

### Flexible Module Configuration

For the best self-terminal design, offers the choice of Paper Roll Supply Module and Cut Sheet Retracting Module to meet customer needs and environmental requirements.

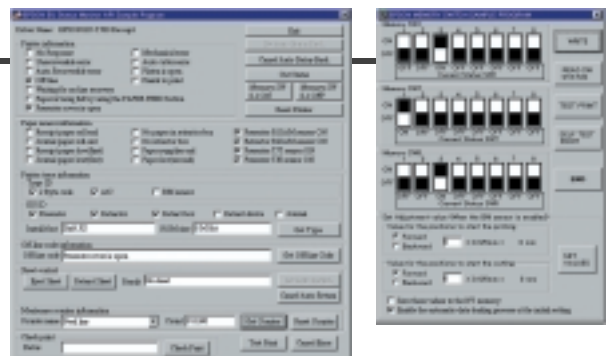
### Multi-Language Support

In addition to the Alphanumeric standard character set, Japanese (including Kanji), Simple Chinese and Traditional Chinese are available as factory options.

## EPSON Advanced Windows Driver

The EPSON Advanced Windows Driver provides an original set of drivers for Windows 95/98/NT 4.0 and 2000. It reduces time and cost of application development.

In addition to printer driver, the EPSON Advanced Windows Driver offers Status Monitor and Maintenance Counter which are extremely important in the self-terminal operation environment.

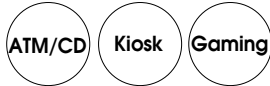


■ EPSON Advanced Windows Driver-Status Monitor

# Embedded Unit

for self-service terminal

# EU-T532

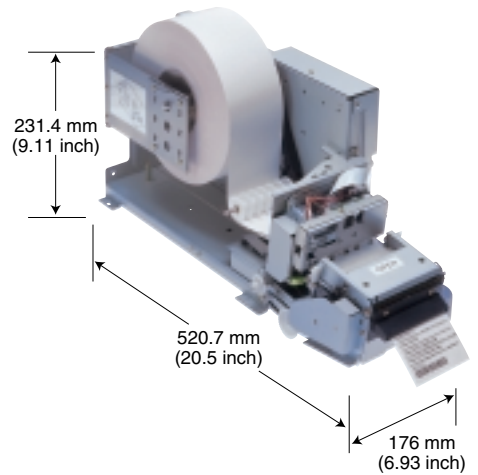


## SPECIFICATIONS

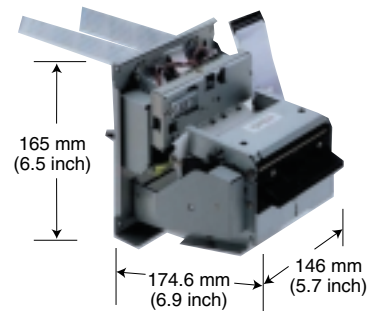
<b>Print Method</b>	Thermal line printing
<b>Paper Path</b>	Straight
<b>Print Font</b>	
Font	Font A : 12 x 24 / Font B : 9 x 17
Column capacity	Font A : 48 columns / Font B : 64 columns
Character size	1.25 (W) x 3.0 (H) mm
Character set	95 Alphanumeric, 37 International, 128 x 11 Graphic
<b>Interface</b>	RS-232 / Bi-directional parallel
<b>Data Buffer</b>	4 KB
<b>Print Speed</b>	150 mm / sec.
<b>Paper Dimensions</b>	79.5 ± 0.5 mm x dia. 254 mm max.
<b>Paper Thickness</b>	0.06~0.15 mm
<b>Power</b>	24 VDC ± 2.4 V
<b>Power Consumption</b>	Approx. 1.75 A (print duty 25%)
<b>Reliability</b>	
Receipt printing	5 x 10 <sup>5</sup> times
Printer life	Mechanism: 15 x 10 <sup>6</sup> lines / Thermal head: 100 km (62.14 miles)
<b>Overall Dimensions</b>	176 (W) x 520.7 (D) x 231.4 (H) mm (Paper Roll Equipped Model)
<b>Weight</b>	Approx. 5.5 kg
<b>Power Supply (option)</b>	PS-170
<b>Factory Options</b>	Cut Sheet retracting module

## APPEARANCE

Model Equipped with Roll Paper Supply



Model Without Roll Paper Supply



## OPTIONS



■ PS-170 (option)  
- Power supply unit



■ NE-T500 (option)  
- Paper near end sensor unit

Specifications are subject to change without notice.

**SEIKO EPSON CORPORATION** Web site <http://www.epson.co.jp/world/>

005B Printed in Japan

For details, please contact: