

A NEW BREAKTHROUGH IN SCANNING PRODUCTIVITY

EPSON GT-S80 SERIES



EPSON GT-S80 SERIES



- Add quality and efficiency to your high volume business scanning
- High capacity 75 A4-page ADF
- Dual CCD
- 600 dpi optical resolution
- Fast, high-quality scanning up to 40 ppm/80 ipm
- Scan instantly and save energy with Epson ReadyScan LED technology
- High reliability with ultrasonic double feed detection
- 2-line LCD with Scan-to-Job naming for easy one-touch scanning

The Epson GT-S80 document scanner delivers fast, high-quality duplex scanning and productivity enhancing features in a space-saving design. They offer a cost effective paper capture process and easy integration into any document management system for individuals or departments.

It's packed with features and software to add performance and efficiency to business scanning. It is also ideal for archiving or creating a high-quality document management system.

Productivity enhancing

The 75 A4-page Automatic Document Feeder means that batches of documents can be scanned at a speed up to 40 ppm and 80 ipm in mono, greyscale and colour mode. The ultrasonic detection sensor offers reliability and trouble-free performance, leaving users free to concentrate on other tasks.

Versatile automatic document feeder

From thin paper invoices to business cards and embossed cards, the Epson GT-S80 Scanner can scan mixed documents using auto-size and colour detection.

Flexibility and full integration

The Epson GT-S80 Scanner provides easy integration with Twain and ISIS driver support. The Epson Event Manager solution, bundled as standard, eliminates multiple steps in sending scanned documents to predetermined applications or devices. It gives users the flexibility to capture, convert, distribute and store document information in virtually any electronic document management system at a touch of a button.

Advanced document imaging features

EpsonScan 3.6, bundled as standard, offers comprehensive features such as searchable PDF, Text Enhancement, RGB dropout, Auto De-Skew and much more to increase operational efficiency.

Save time and energy

Thanks to the ReadyScan LED technology, users benefit from instant scanning and save energy.

EPSON[®]
EXCEED YOUR VISION

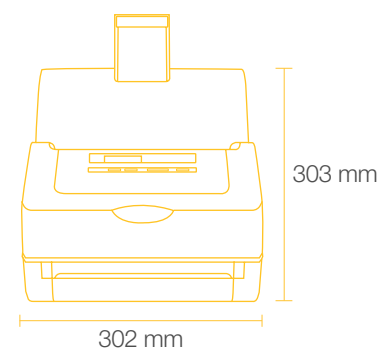
PRODUCT DIMENSIONS AND SPECIFICATIONS

SCANNER TYPE Photoelectric device Light source Light source benefit Optical resolution Pixel depth	A4 Sheetfed colour document scanner DUAL 3-line CCD (R,G,B) ReadyScan LED technology No warm up time, Energy saving 600 dpi Greyscale: 256 levels Colour: 24-bit
SCANNING SPEED A4 200 dpi B/W, greyscale and colour	40 pages per minute / 80 images per minute
AUTO DOCUMENT FEEDER Paper setting capacity Type Paper supply Document size Corresponding paper weight Minimum document size Maximum document size Trouble free paper loading feature	75 sheets (75 g/m ²) Sheet through, 1 pass Duplex scanning Face down load A4, A5, A6, B5, Letter and Custom sizes From thin paper (50 g/m ²) to ID card, Business cards and embossed card up 200 g/m ² Width: 54 mm; Length: 73.4 mm Width: 216 mm; Length: 914 mm Ultrasonic detection sensor
PANEL FUNCTIONS	2-Line LCD to display up to 10 meaningful 'Scan-to-Job' names Up, Down, Start and Cancel buttons One touch operation for direct scan to file, email, printers, FTP folder, Microsoft SharePoint; any desktop or server application that supports paper capture function
DOCUMENT SCANNING FEATURES	RGB colour dropout, Auto format recognition of mixed documents, Auto Area Segmentation, Multi-PDF Batch scanning, Skip Blank Page, Punch Holes removal, Automatic B/W colour original detection, Secure PDF, Automatic De-Skew, A3 stitching feature, Advanced Editing Features Pre-defined Scanning Settings Format: JPG, TIFF, Multi-TIFF, PDF, Searchable PDF
DRIVER AND SOFTWARE	Epson Scan 3.6, TWAIN, WIA and ISIS driver support, Epson Event Manager 2.1, Copy Utility, Presto! Page Manager 8 Pro, ABBYY FineReader 6.0 (Win) / 5.0 (Mac) Sprint Plus, Presto! BizCard 5 SE
OTHER BUNDLE ITEMS	USB cable, carrier sheet, AC adapter
CONNECTIVITY Epson GT-S80 interface	High speed USB 2.0
SUPPORTED PLATFORMS EpsonScan GT-S80 ISIS	Windows XP, XP x64, 2000, Vista, Vista x64, Mac 10.2.8 or later Windows XP, XP x64, 2000, Vista, Vista x64
ENVIRONMENTAL CONDITIONS Temperature Humidity	10°C to 35°C (operating) -25°C to 60°C (storage) 10% to 80% without condensation (operating) 10% to 85% without condensation (storage)
POWER REQUIREMENTS Voltage Frequency Power consumption	AC100-240V 50Hz to 60Hz (Rated) 45 Watts operating, 13 Watts in ready mode Sleep mode: 5W
DIMENSIONS AND WEIGHT Dimensions (WxDxH) Weight	302x202x213 mm (covers closed) Approx. 5 kg
WARRANTY Standard warranty Extended warranty	1 Year Return to Base Optional: Additional 2 Year Return to Base Warranty (3YWGTS80)

EPSON GT-S80 SERIES

WHAT'S IN THE BOX

- Epson GT-S80 scanner (B11B194101)
- Carrier sheet
- AC adapter
- Registration Card
- USB cable
- Epson Event Manager, Epson Scan, Copy Utility, Presto! Page Manager 8 Pro, ABBYY FineReader 6.0(Win)/ 5.0(Mac) Sprint Plus, Presto! BizCard 5 SE



Better Products for a Better Future™



For further information please visit www.epson.com.au

Trademarks and registered trademarks are the property of Seiko Epson Corporation or their respective owners. Product information is subject to change without prior notice.

EPSON®
EXCEED YOUR VISION