

# ***EU-T400 Series***

Embedded Units  
for Kiosk

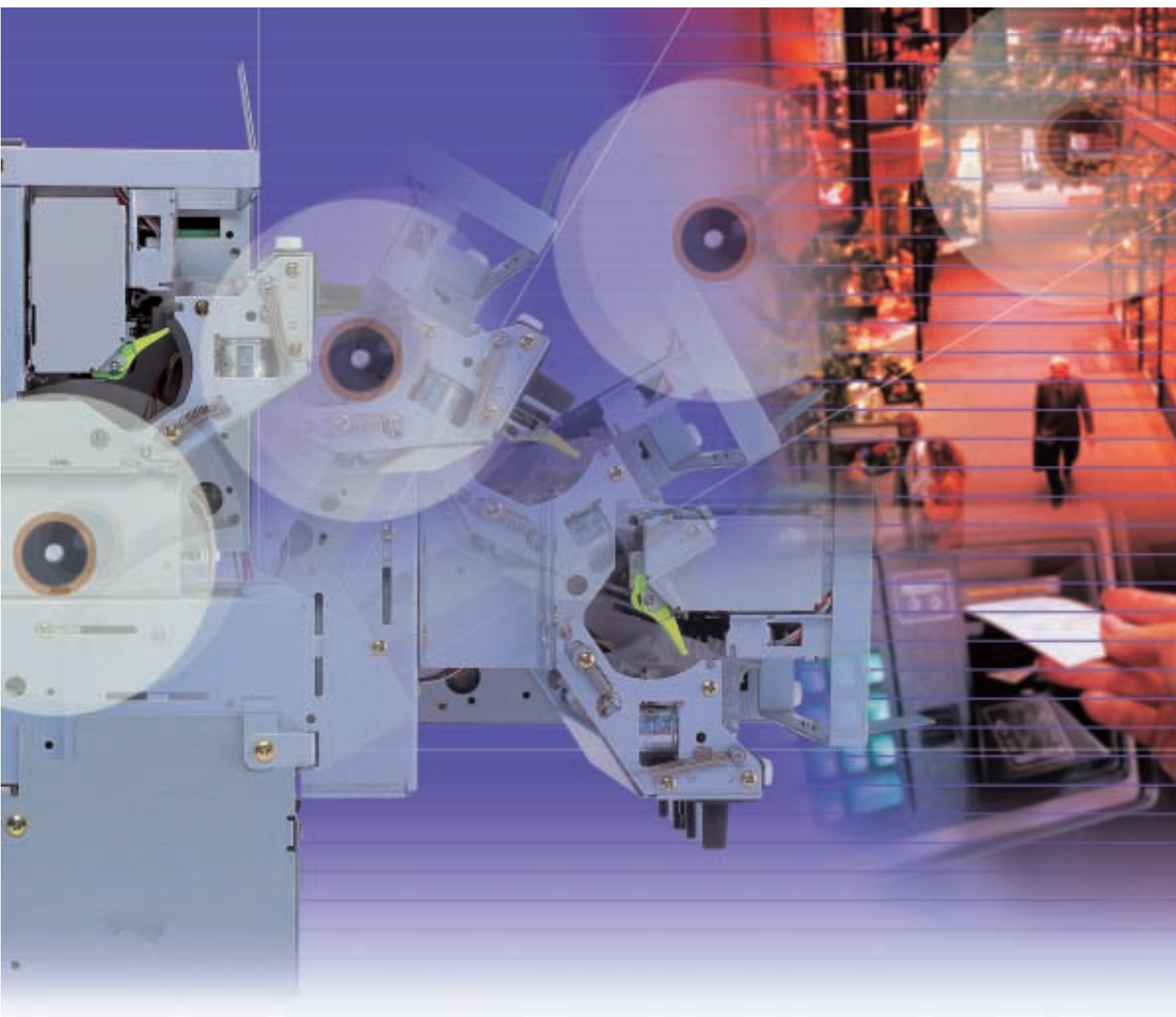


# **EPSON®**

- Superior design
- Easy operation
- Versatile printing

**Just the Ticket!**

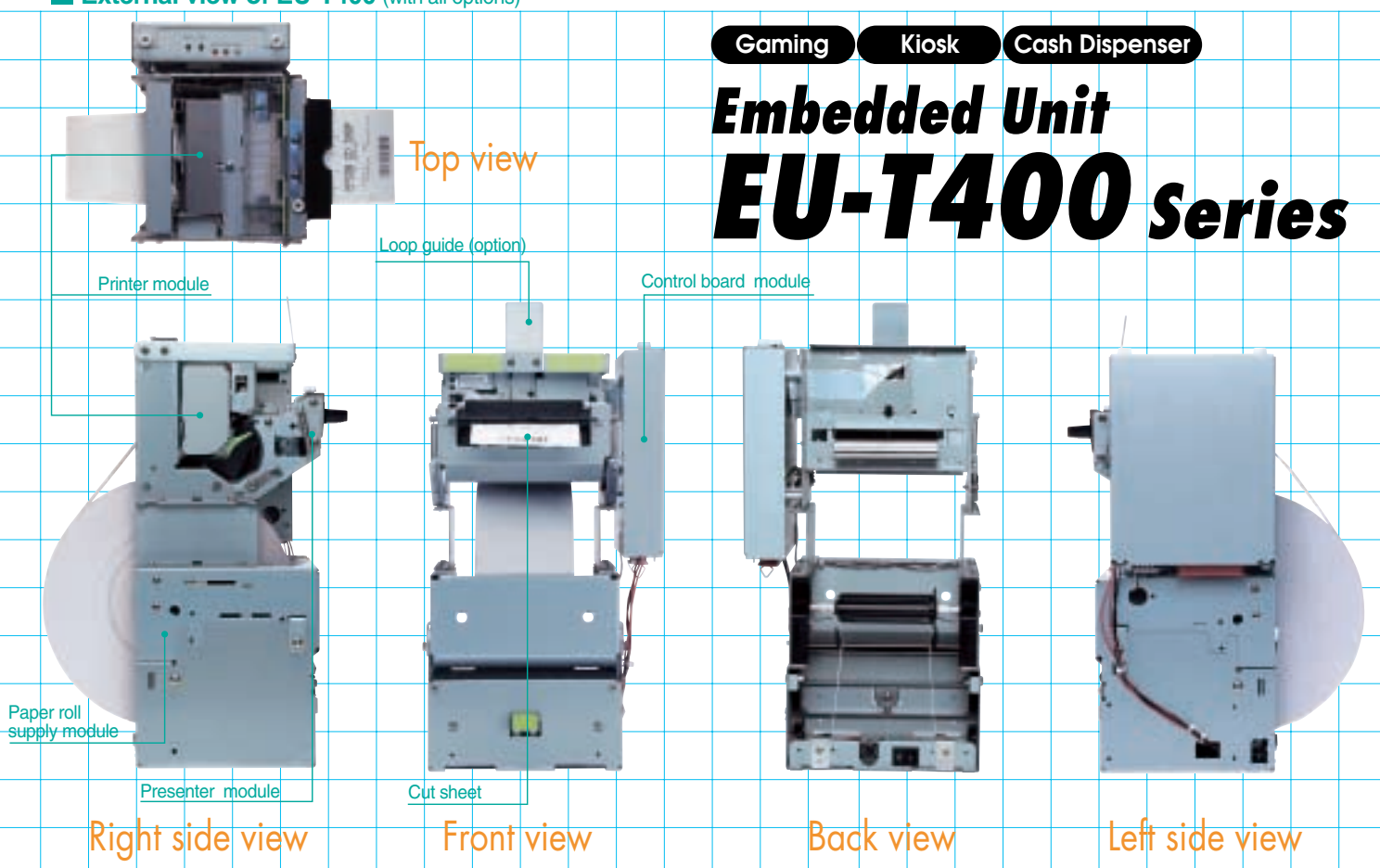
**Versatility and Efficiency for Kiosk Applications**



# New EU-T400 Series Kiosk Solutions

Epson is proud to introduce its new EU-T400 series for kiosk applications. Virtually unknown until a short while ago, the rapid growth of kiosk has matched the explosive growth of the Internet and other technologies. With an astonishing range of applications and unlimited potential for growth, kiosk requires a compact and reliable terminal that is versatile enough to meet the demands of the future, as well as the present. The EU-T400 series meets all these needs and more. Designed specifically for kiosk, terminal manufacturers are sure to be impressed by its high performance and the ease of developing applications software. Surely the most suitable unit for self-service terminals on the market today, it's another sure-fire winner from Epson.

## External view of EU-T400 (with all options)



## Possible Kiosk locations



Scene 1 : at Casino floor

Kiosk terminals can be located wherever people gather.



Scene 2 : at Shopping mall

# Superior design

## Compact

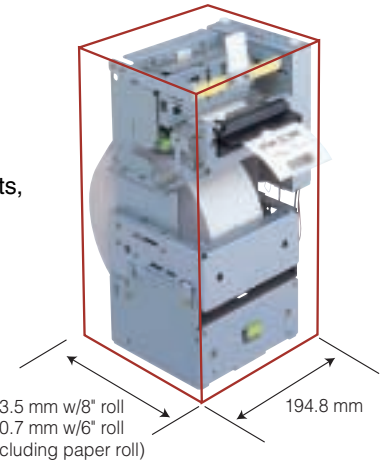
Designed to fit into terminals of all sizes, compact dimensions and a small footprint make the EU-T400 series perfect for smaller terminals.

## Internal paper roll

The paper roll for the EU-T400 series is loaded inside the unit. Unlike conventional printer units, the dimensions with and without full size paper (roll of 203 mm) are almost the same.

## Highly durable

High durability reduces cost of ownership. The EU-T400 series allows printing of up to 300,000 receipts.



# Easy operation

## Full front operation

Downtime is reduced with paper loading, maintenance and sensor adjustments all carried out at the front.

## Worry-free paper handling

It's simple to replace the paper roll with the EU-T400 series. A semiautomatic loading function saves recovery time and increases the speed of maintenance.

## Easy maintenance

Each mechanism can be replaced on a module basis.

## Easy to replace the paper roll

Semiautomatic loading function is included.



Step 1 : Push the lever, open and pull down the top frame until it is fully open.



Step 2 : Set the paper roll



Step 3 : Put the paper in the paper guide. The paper will load automatically.



Step 4 : Return the frame to its previous position.

# Versatile printing

## High speed printing

The EU-T400 series allows faster transactions for customers with the highest printing speed in its class. The same speed is possible with graphics.

## Adaptable graphics printing

Text, barcodes, logos and Windows® fonts can all be printed with ease. Embellish and emphasize with underlining, enhancement, 90° rotation, black and white reversing and enlargement.

## Selectable paper size

Terminal manufacturers can adjust the unit to meet their specific needs. Paper width, paper diameter, paper core diameter, and paper thickness can all be selected as desired.

## Asian language options

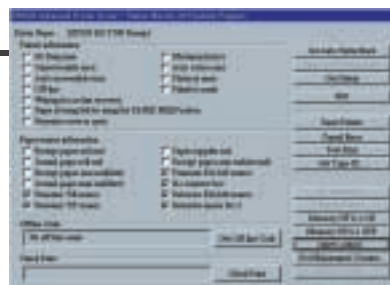
Japanese, Chinese (simple and traditional) and Korean fonts are available as factory options for local markets.



# Advanced Printer Driver

Available for Windows® 95/98/NT 4.0 and 2000, and Linux®, Epson's ever-adaptable printer driver reduces the time and expense spent on applications development.

With a status monitor and a maintenance counter providing information on present and historical operating status, the EU-T400 series is fully equipped for a wide range of kiosk applications.

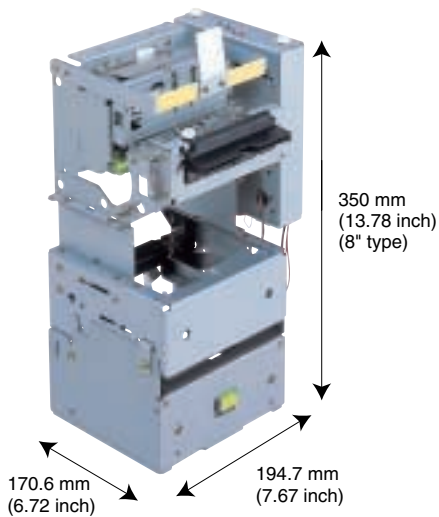


■ Epson Advanced Printer Driver-Status Monitor

# EU-T400 Series

## Embedded Units for Kiosk

### APPEARANCE



### SPECIFICATIONS

<b>Model</b>	EU-T432
<b>Print Method</b>	Thermal line printing
<b>Paper Path</b>	Straight
<b>Print Font</b>	
Font	Font A : 12 x 24 / Font B : 9 x 17 / Kanji : 24 x 24
<b>Column capacity</b>	Font A : 48 columns / Font B : 64 columns
<b>Character size</b>	1.25 (W) x 3.0 (H) mm
<b>Character set</b>	95 Alphanumeric, 37 International, 128 x 11 Graphic
<b>Interface</b>	RS-232 / IEEE 1284 Bi-directional parallel
<b>Data Buffer</b>	4 KB
<b>Print Speed</b>	150 mm / sec.
<b>Paper Dimensions</b>	79.5 ± 0.5 mm x dia. 203 mm max.
<b>Paper Thickness</b>	0.06~0.15 mm
<b>Power</b>	24 VDC ± 2.4 V
<b>Power Consumption</b>	Approx. 5.1 A (print duty 25%)
<b>Reliability</b>	
Receipt printing	3 x 10 <sup>5</sup> times
<b>Printer life</b>	Mechanism: 15 x 10 <sup>6</sup> lines / Thermal head: 100 km (62.14 miles)
<b>Overall Dimensions</b>	194.7 (W) x 170.6 (D) x 350 (H) mm (8" type)
<b>Mass</b>	Approx. 3.9 kg (8" type)
<b>Power Supply (option)</b>	PS-170
<b>Factory Options</b>	Loop Guide (for 600 mm Receipt issuance), Paper Supply Spacer, Multilingual Font Set, Paper Near-end Sensor

### OPTION



- PS-170 (option)  
- Power supply unit

**ESC/POS®** EPSON took the initiative in introducing ESC/POS, a POS printer command system enabling versatile POS system construction with high scalability. Compatible with all types of printers and displays, this proprietary control system also offers the flexibility for easy future upgrades. It has become popular in the world.

All features and specifications described are subject to change without notice. EPSON and ESC/POS are registered trademarks of SEIKO EPSON Corporation. Windows and Windows NT are registered trademarks of Microsoft Corporation in the United States and/or other countries. Linux is a registered trademark of Linus Torvalds in the United States and/or other countries. Company and product names are trademarks or registered trademarks of their respective companies.

Specifications are subject to change without notice.

This publication is bleached using a non-chlorine agent.

**EPSON AUSTRALIA** Web site <http://www.epson.com.au>

For details, please contact:

